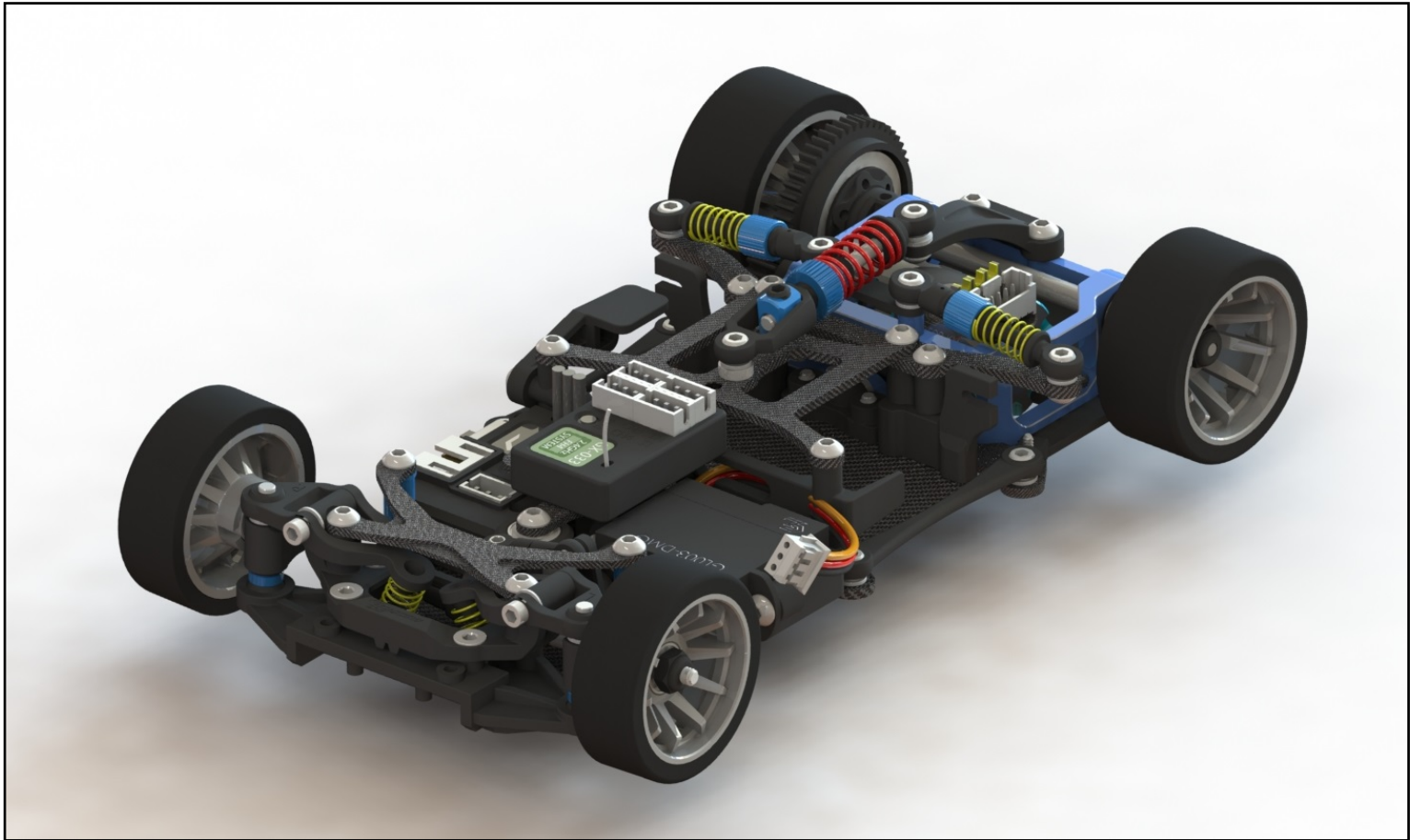




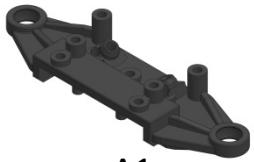
Assembly Guide

www.gl-racing.com

Ver01



Bag A



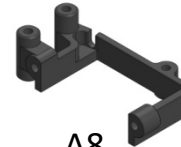
A1



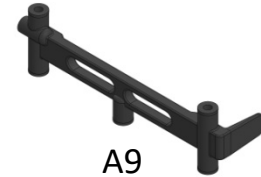
A2



A3 x2



A8



A9



A4



A5



A10



A11



A12



A6



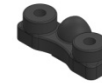
A7



A13



A14



A15



A16 x2



T9



T10



T11



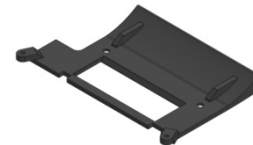
T12



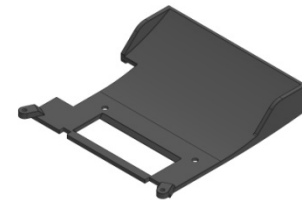
T13



T14



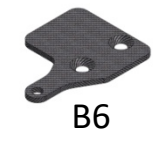
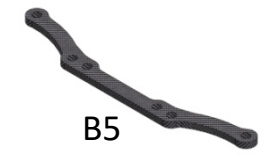
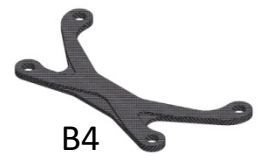
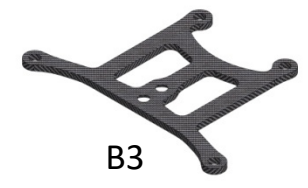
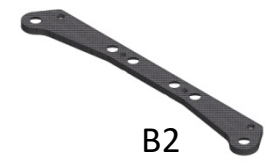
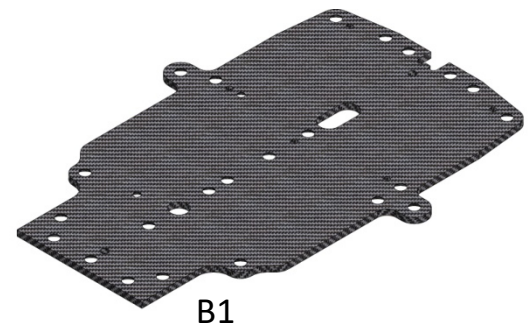
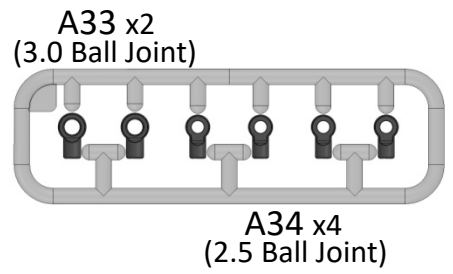
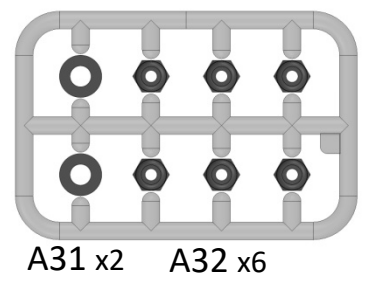
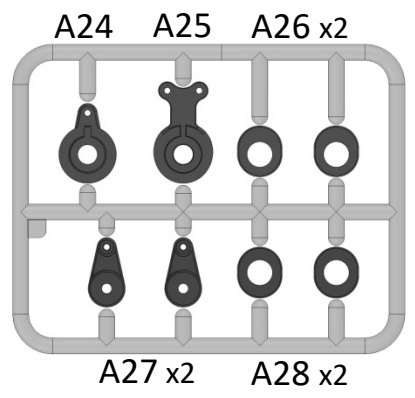
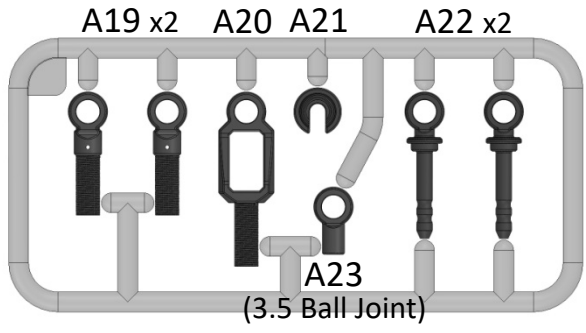
A17



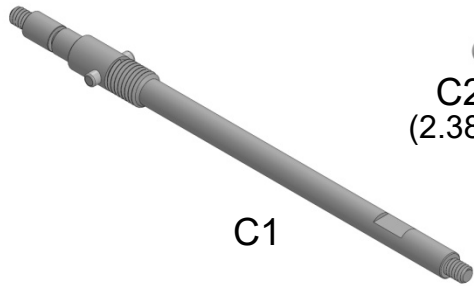
A18

Bag A

Bag B



Bag C



C1

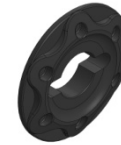
C2 x11
(2.381 Ball)



C3 (53T)



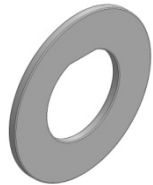
C4



C5



C6



C7 x2



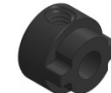
C8
(3x6x2.5)



C9 x2



C10



C11



C12
(M3x3 Grub)



C13 x2
(2x4x1.5)



C14 x2



C15



C16 x4
(3.5 Nylon Ball)



C17 x2



C18



C19



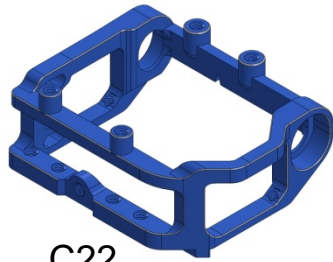
C20 x1
(Long)



C21 x4
(Short)

Bag C

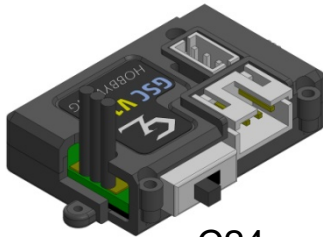
Bag D



C22



C23



C24



D1 x2
(3x6x2)

D2 x7
(3x6x2.5)



D3 x4
(2.5 Ball Stuff)

D4 x3
(3.0 Ball Stuff)



D5 x10
(3.5 Ball Stuff)

D6 x5
(3x4.5x0.1)



D7 x2



D8 x2



D9 x2



D10
(Short)



D11
(Long)



D12 x2

D13 x5
(2x4x0.1)



D14 x5
(2x4x0.2)



D15 x5
(2x4x0.3)



D16 x10
(M2x4 TB)



D17 x11
(M2x4 TM)



D18 x4
(M2x3 KM)



D19 x8
(M2x3.5 KM)



D20 x9
(M2x4 KM)



D21 x22
(M2x4 KB)



D22 x3
(M2x6 KB)



D23 x5
(M2x10 PB)



D24 x3
(M2x6 Grub)

D25 x3
(M3x3 Grub)

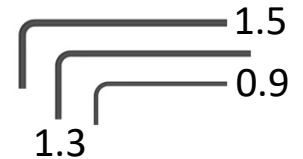


D26 x3
(M1.6x3.5 PM)

D27 x3
(M1.2x4 PB)



D28 x2
(M1.5x6)

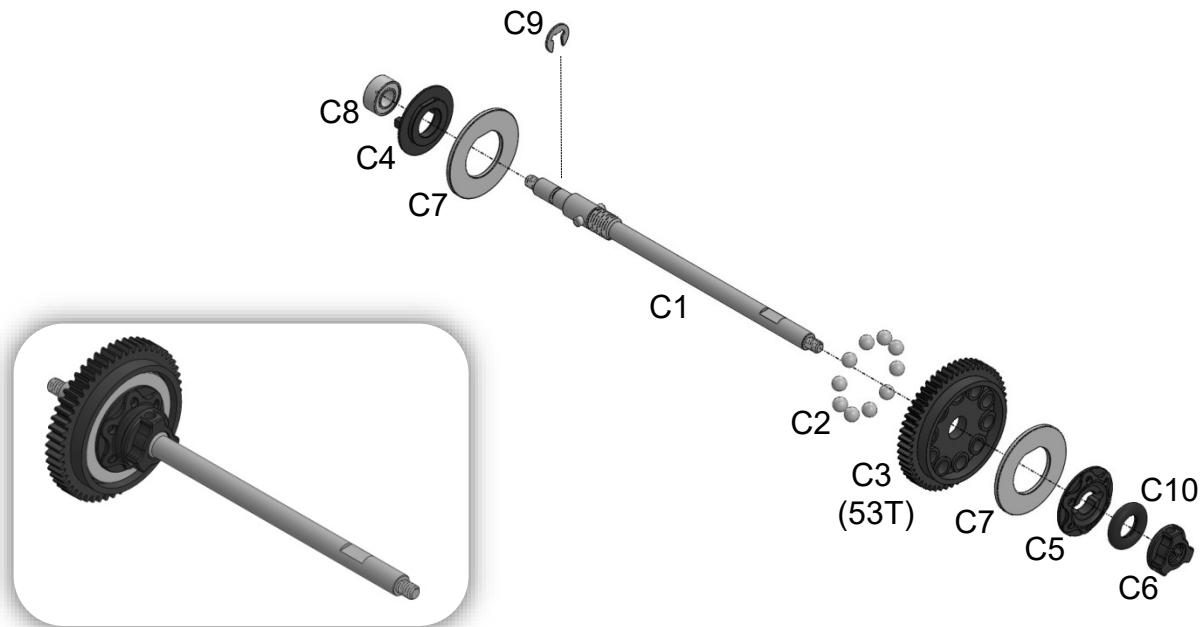


1.3

Hex Key

C2 x10
(2.381 Ball)

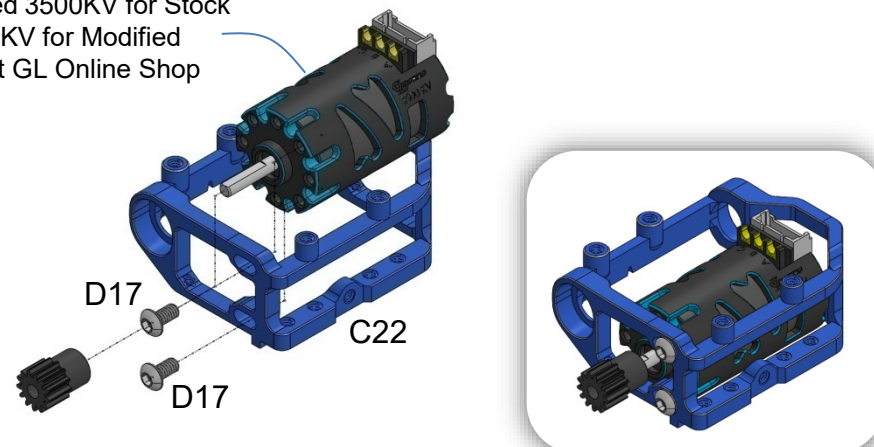
C8
(3x6x2.5)














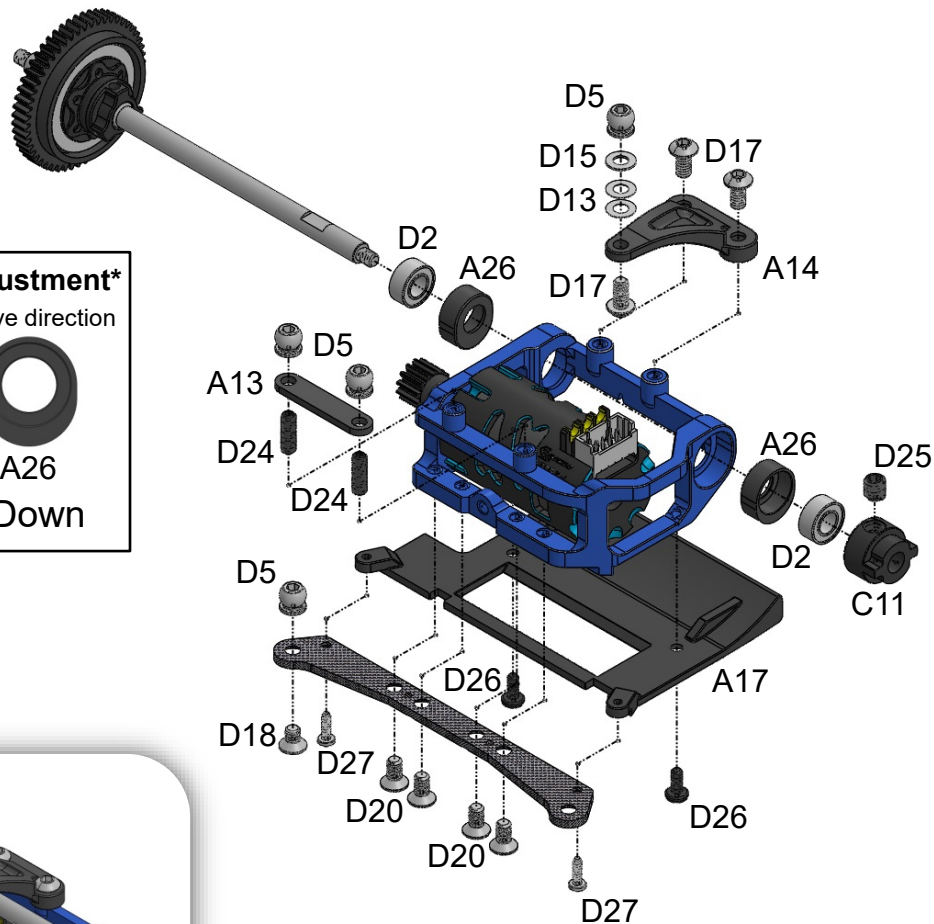
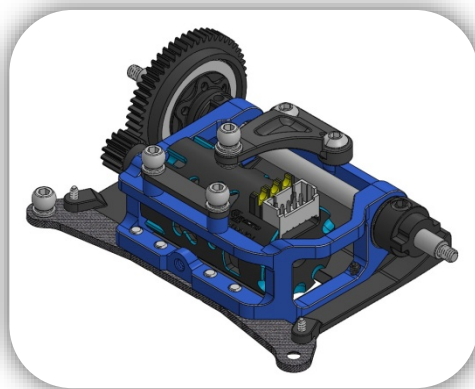
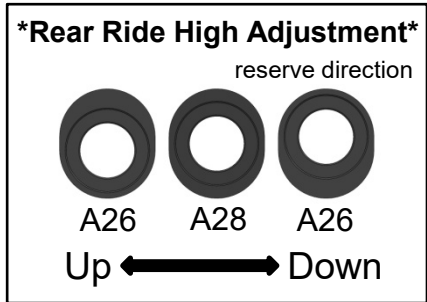
D17 x2
(M2x4 TM)

Brushless Motor is NOT INCLUDED
 Recommended 3500KV for Stock
 And 4500KV for Modified
 Available at GL Online Shop

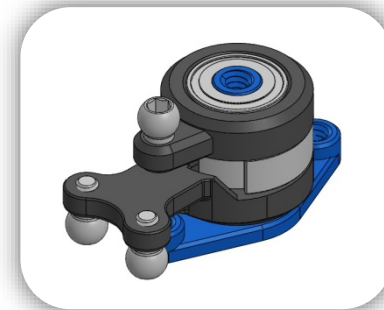
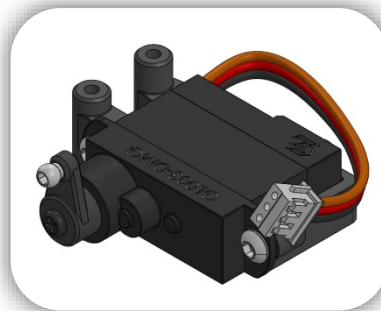
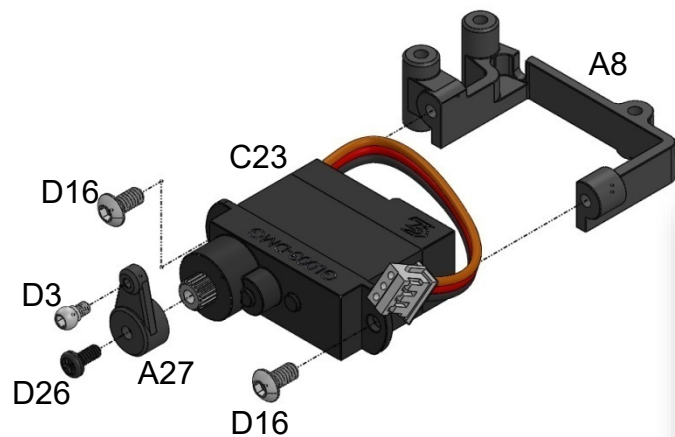
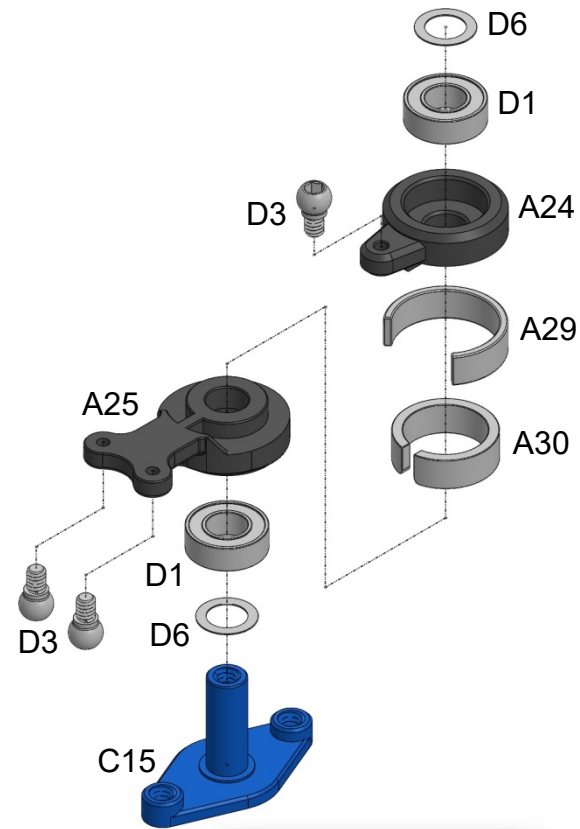
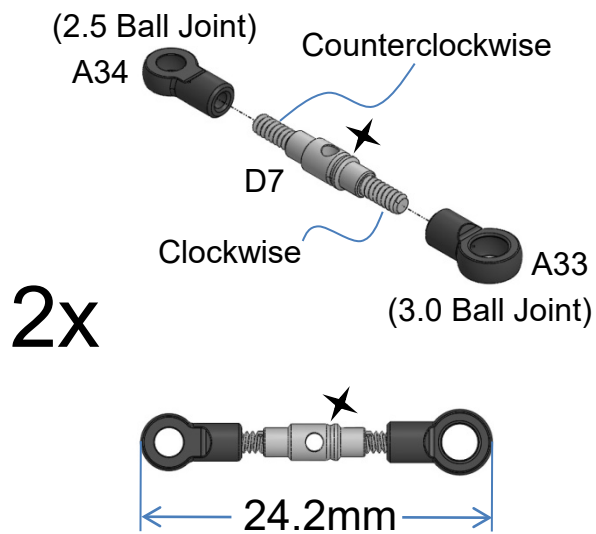
GLR Gear Ratios		51	52	53	54
9		5.67	5.78	5.89	6.00
10		5.67	5.20	5.30	5.40
11		4.64	4.73	4.82	4.91
12		4.25	4.33	4.42	4.50
13		3.92	4.00	4.08	4.15
14		3.64	3.71	3.79	3.86





-  D2 x2
(3x6x2.5)
-  D5 x4
(3.5 Ball Stuff)
-  D13 x2
(2x4x0.1)
-  D15
(2x4x0.3)
-  D17 x3
(M2x4 TM)
-  D18
(M2x3 KM)
-  D20 x4
(M2x4 KM)
-  D24 x2
(M2x6 Grub)
-  D25
(M3x3 Grub)
-  D26 x2
(M1.6x3.5 PM)
-  D27 x2
(M1.2x4 PB)





-  D1 x2
(3x6x2)
-  D3 x4
(2.5 Ball Stuff)
-  D6 x2
(3x4.5x0.1)
-  D16 x2
(M2x4 TB)
-  D26
(M1.6x3.5 PM)




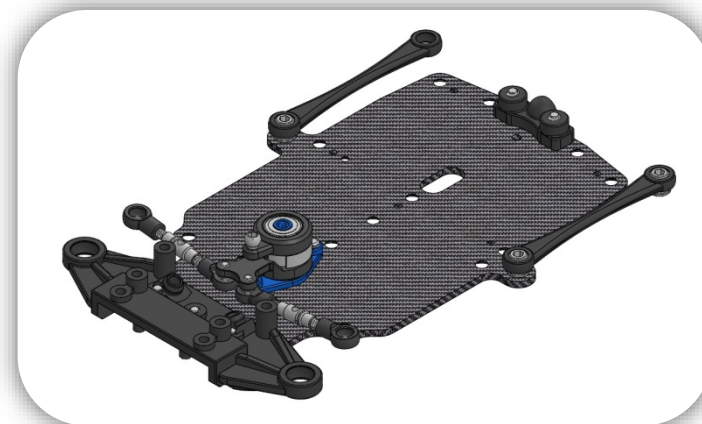
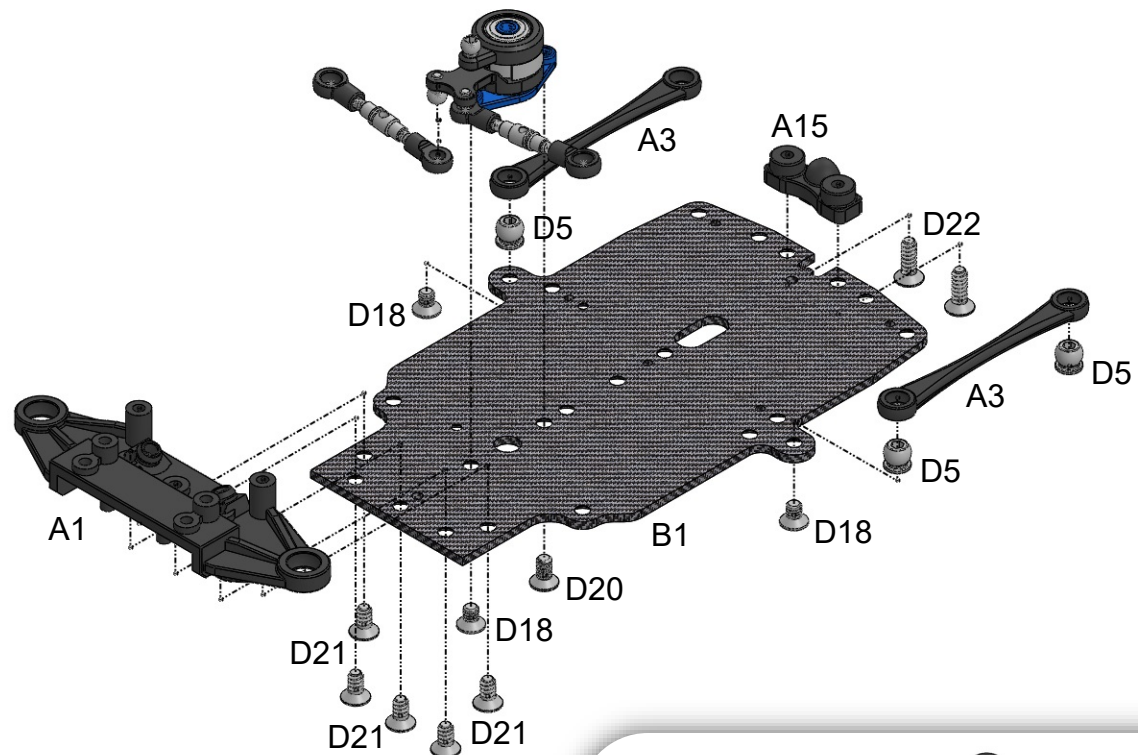
 D5 x3
(3.5 Ball Stuff)


 D18 x3
(M2x3 KM)


 D20
(M2x4 KM)

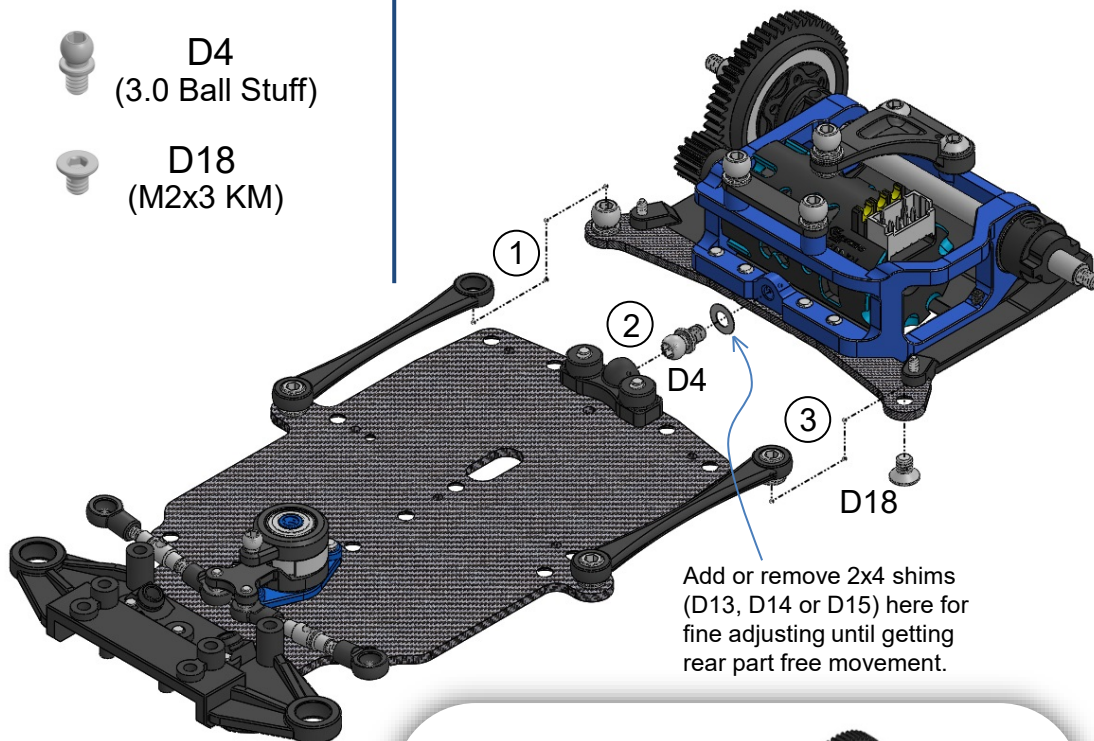
 D21 x5
(M2x4 KB)

 D22 x2
(M2x6 KB)



 D4
(3.0 Ball Stuff)

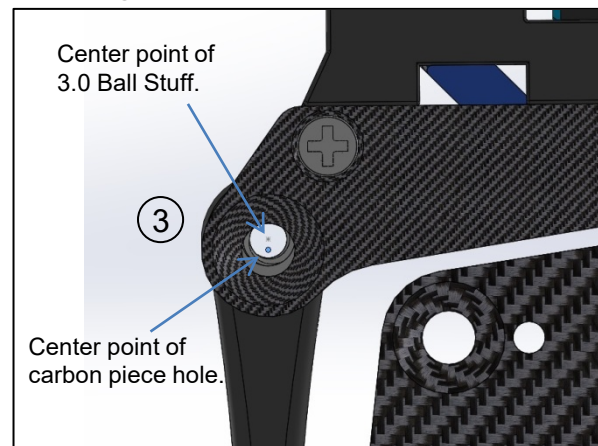
 D18
(M2x3 KM)



Add or remove 2x4 shims (D13, D14 or D15) here for fine adjusting until getting rear part free movement.



How to get rear part free movement?



Snap-in ① and ② ball joint then eye checking ③ if both the screw holes are in the same center. If not, add or remove shims in between 3.0 ball stuff and motor mount until center point matched.



D5 x2
(3.5 Ball Stuff)

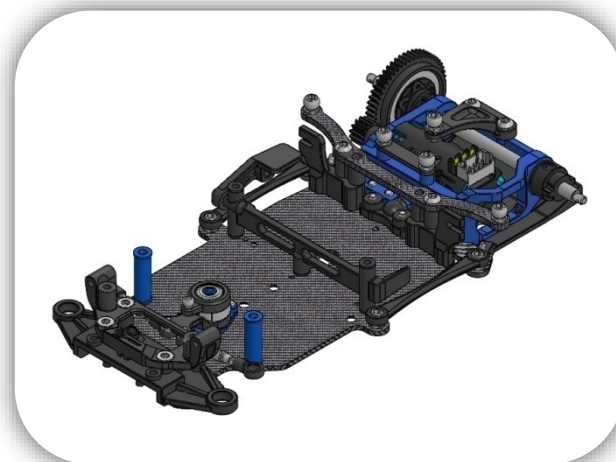
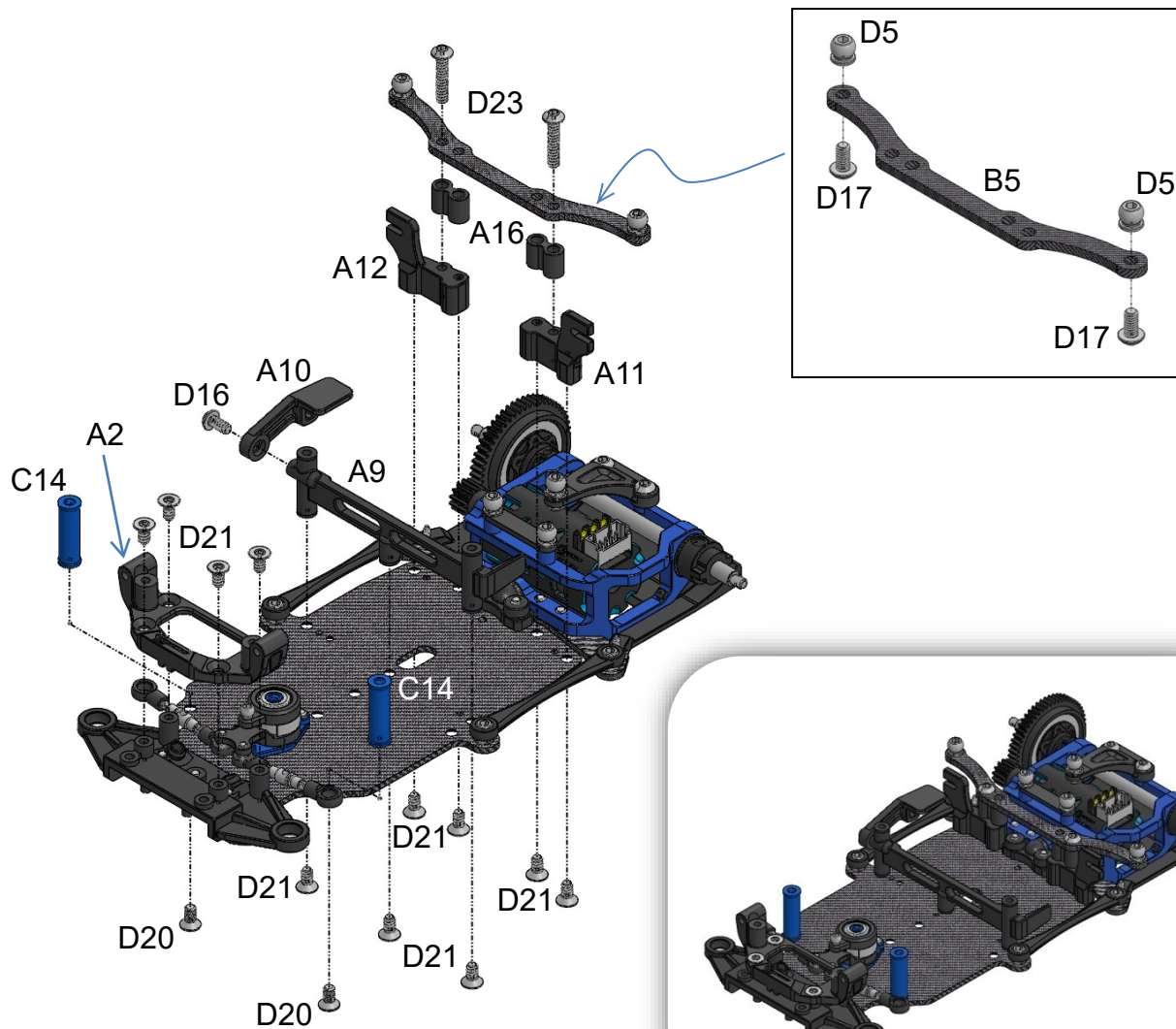
D16
(M2x4 TB)

D17 x2
(M2x4 TM)

D20 x2
(M2x4 KM)

D21 x11
(M2x4 KB)

D23 x2
(M2x10 PB)



D5
(3.5 Ball Stuff)

D14 x3
(2x4x0.2)

D15 x2
(2x4x0.3)

D16 x2
(M2x4 TB)

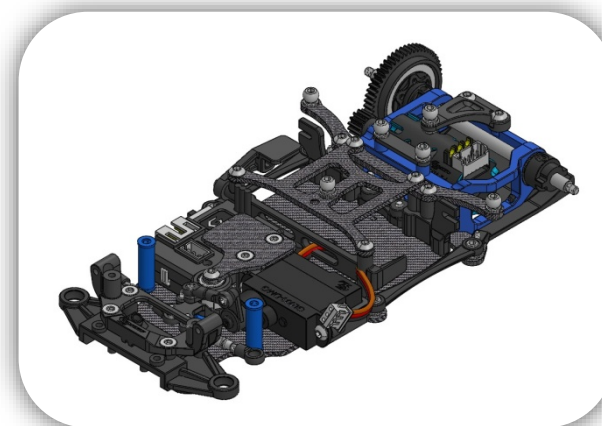
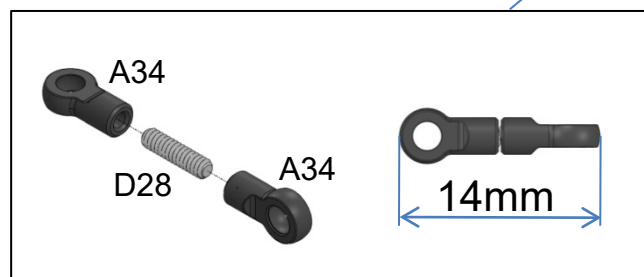
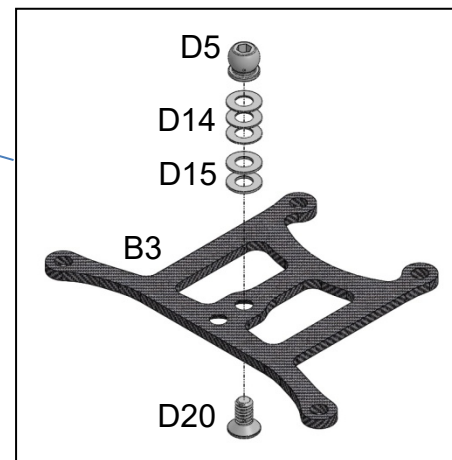
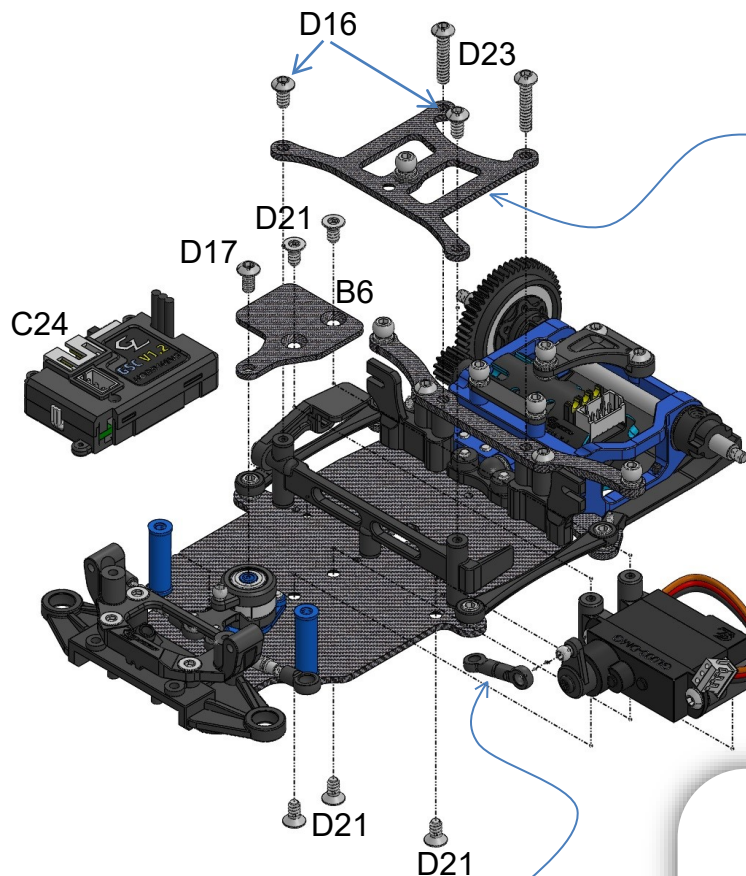
D17
(M2x4 TM)


D20
(M2x4 KM)


D21 x5
(M2x4 KB)


D23 x2
(M2x10 PB)


D28
(M1.5x6)

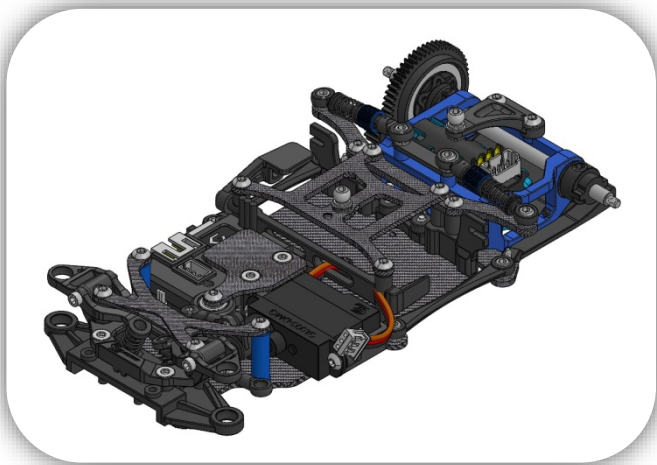
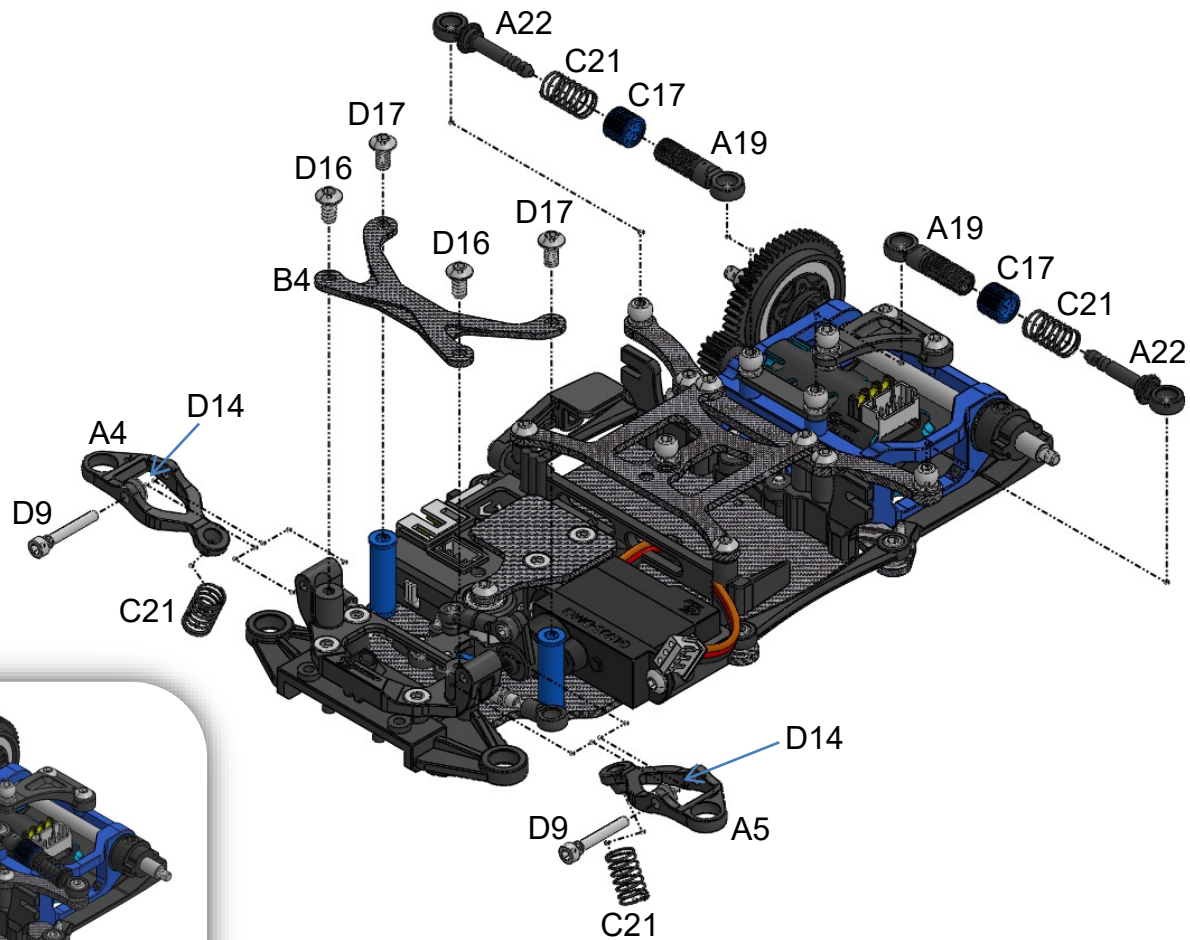


 C21 x4
(Short)

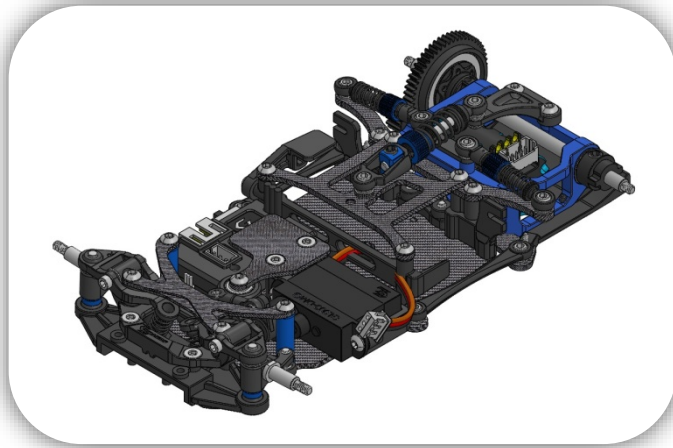
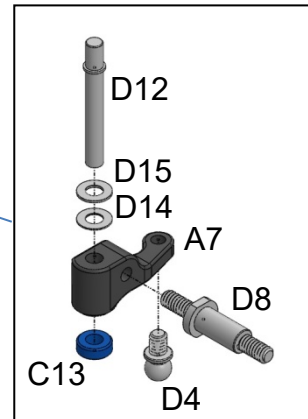
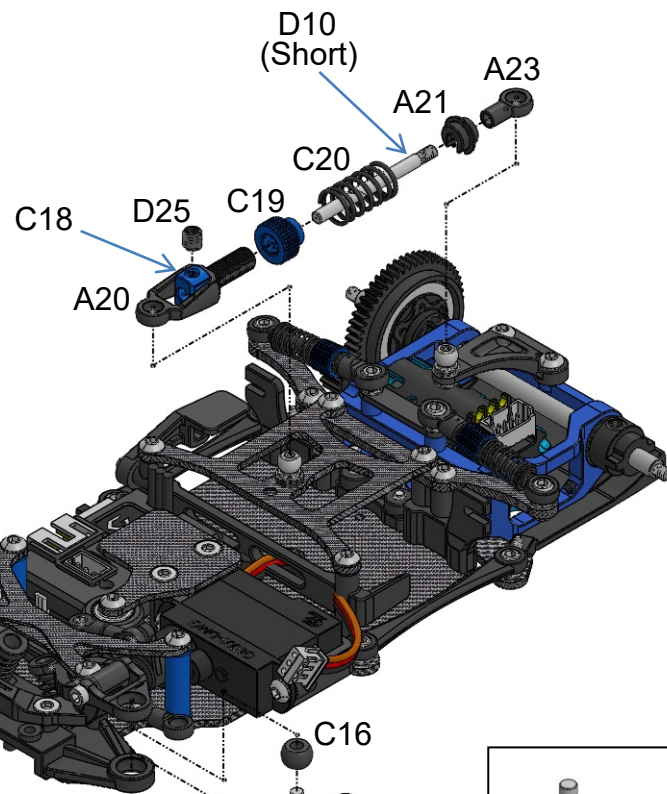
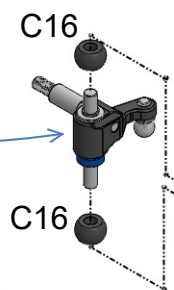
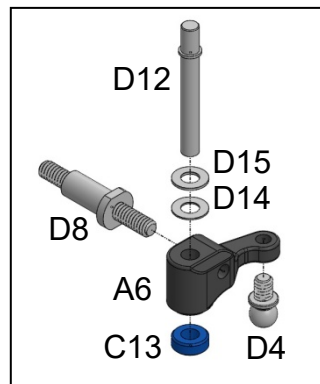
 D14 x2
(2x4x0.2)

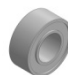
 D16 x2
(M2x4 TB)

 D17 x2
(M2x4 TM)

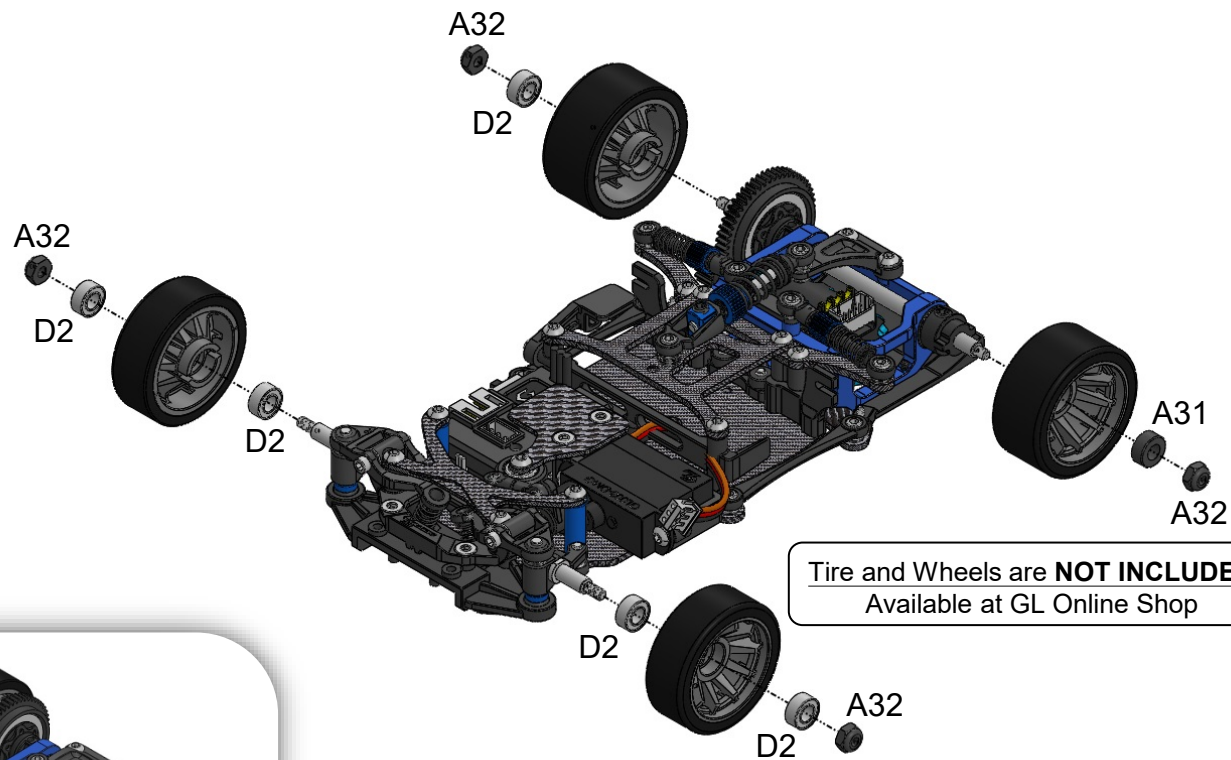


-  C13 x2
(2x4x1.5)
-  C16 x4
(3.5 Nylon Ball)
-  D4 x2
(3.0 Ball Stuff)
-  D14 x3
(2x4x0.2)
-  D15 x2
(2x4x0.3)
-  D25
(M3x3 Grub)





D2 x5
(3x6x2.5)



Tire and Wheels are **NOT INCLUDED**
Available at GL Online Shop

